

cubeprecast.com.au

Concrete Blocks 

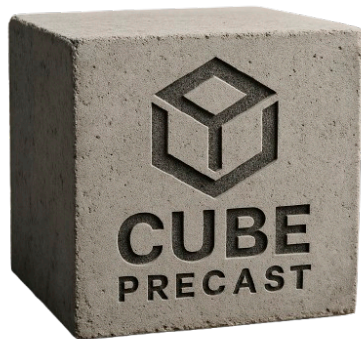
Retaining Wall Installations 

Concrete Slabs 

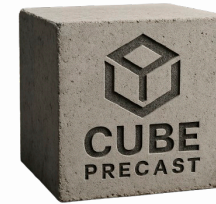
Concrete Fencing 

□ SUPPLY, FABRICATION & INSTALLATION SPECIALIST

With over 25 years providing services to the industry CPA produce Precast components in controlled conditions that enables us to manufacture units to tight tolerances, of varying shapes and with highly attractive architectural finishes. Compared with other materials, precast concrete can provide benefits in fire resistance, durability, thermal and acoustic properties, installation time and can perform its function immediately upon arrival at site therefore eliminating on-site curing time.

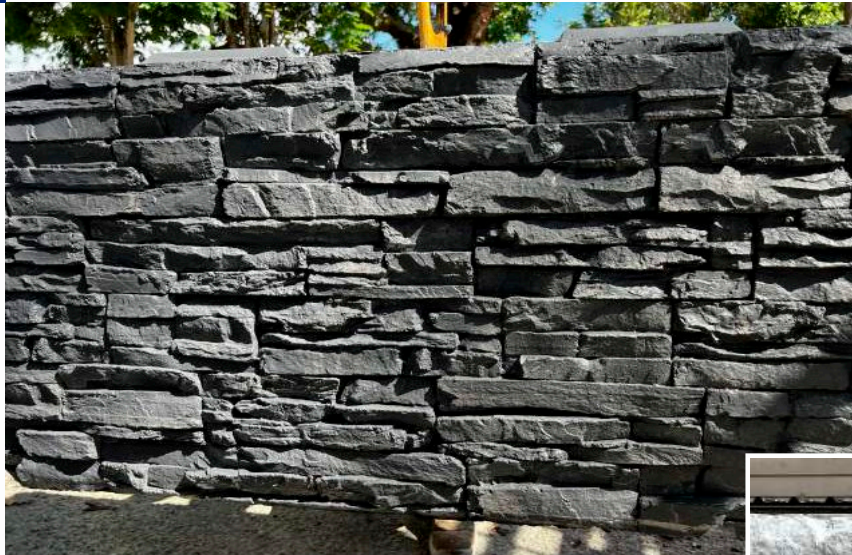
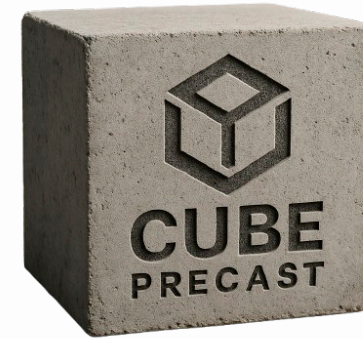


□ TEXTURED, PLAIN AND COLOURED BLOCK WALL OPTIONS



Narrow Stacked Stone
textured block pictured
in grey and white
coloured concrete

□ TEXTURED, PLAIN AND COLOURED BLOCK WALL OPTIONS



Wide Stacked Stone
textured block pictured
in plain concrete
(without colour)

Narrow Stacked Stone
textured block pictured
painted with Dulux
Weathershield



□ TEXTURED, PLAIN AND COLOURED BLOCK WALL OPTIONS

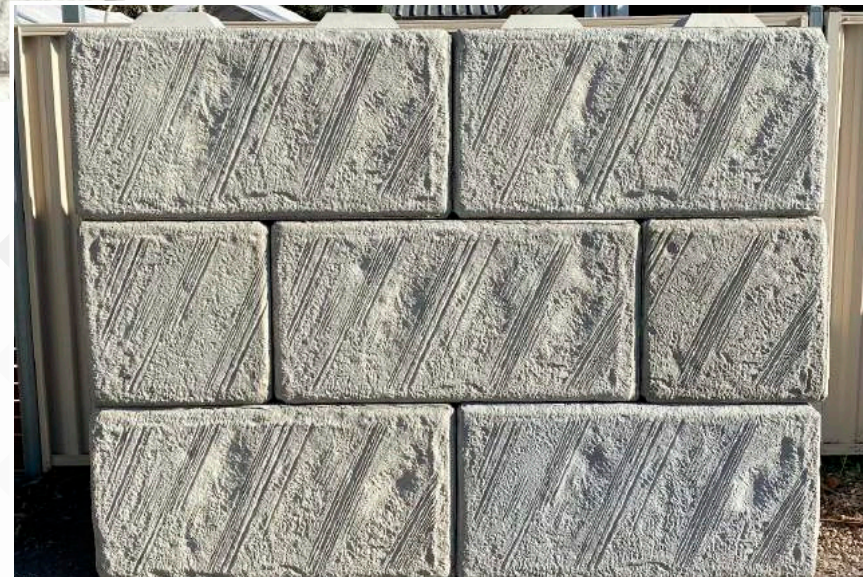
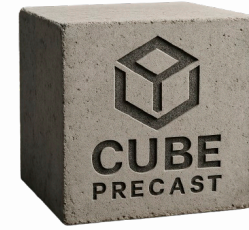


Travertine Stone
textured block
pictured in plain
concrete
(without colour)

Heritage Stone
textured block
pictured in plain
concrete
(without colour)



□ TEXTURED, PLAIN AND COLOURED BLOCK WALL OPTIONS



Sandstone
textured block
pictured in plain
concrete
(without colour)

□ TEXTURED, PLAIN AND COLOURED BLOCK WALL OPTIONS

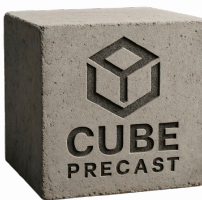


Plain Interlocking

blocks pictured
in grey coloured
concrete (top)
and plain concrete
(without colour)

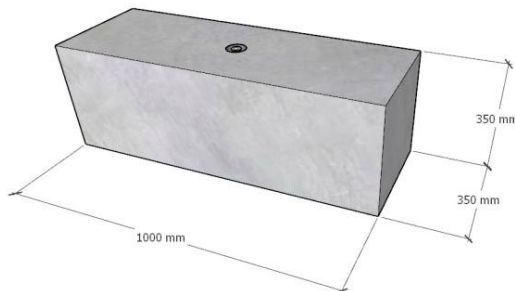


CPA PRICE LIST 2022 ENGINEERED INTERLOCKING CONCRETE BLOCKS FOR RETAINING WALLS

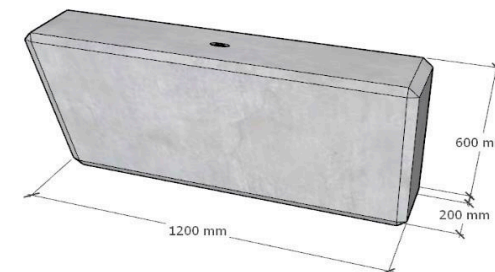


Precast concrete block sizes: LENGTH X HEIGHT X WIDTH

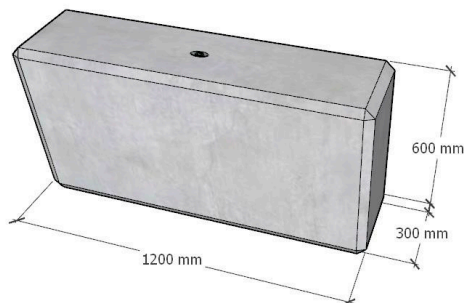
**1000mm x 350mm x 350mm
FLAT BLOCK
280kg**



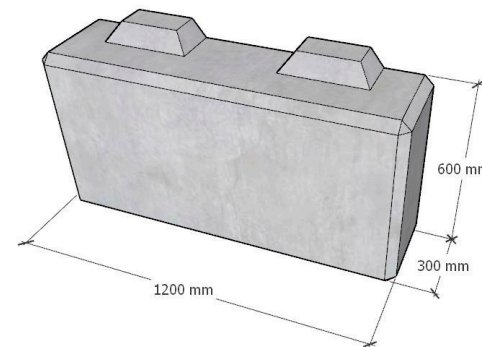
**1200mm x 600mm x 200mm
FLAT BLOCK
350kg**



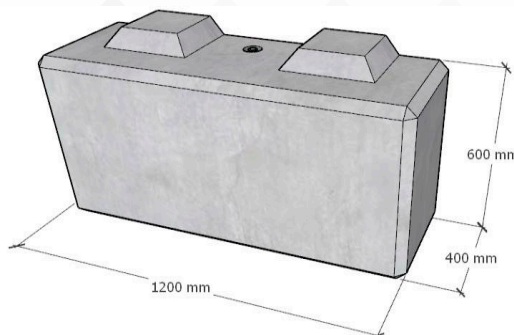
**1200mm x 600mm x 300mm
FLAT BLOCK
550kg**



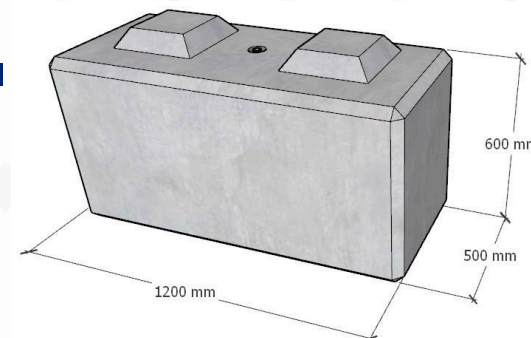
**1200mm x 600mm x 300mm
INTERLOCKING BLOCK
550kg**



**1200mm x 600mm x 400mm
INTERLOCKING BLOCK
750kg
(ALSO AVAILABLE IN FLAT TOP)**



**1200mm x 600mm x 500mm
INTERLOCKING BLOCK
850kg
(ALSO AVAILABLE IN FLAT TOP)**

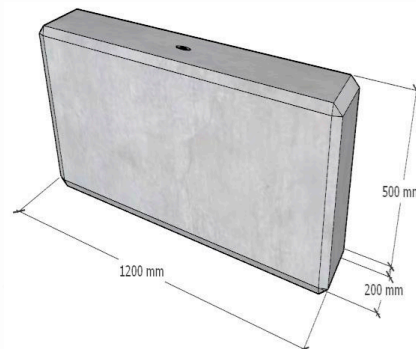


CPA PRICE LIST 2022 ENGINEERED INTERLOCKING CONCRETE BLOCKS FOR RETAINING WALLS

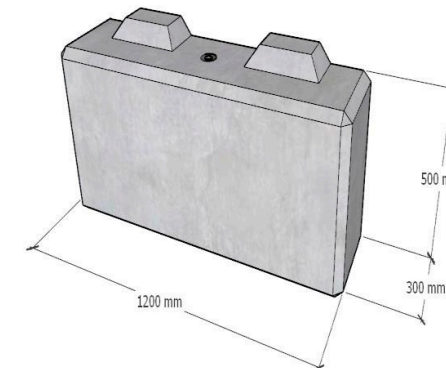


Precast concrete block sizes: LENGTH X HEIGHT X WIDTH

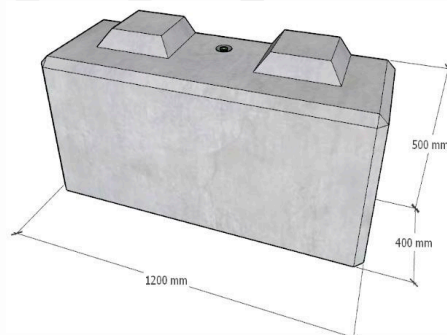
1200mm x 500mm x 200mm
FLAT BLOCK
290kg



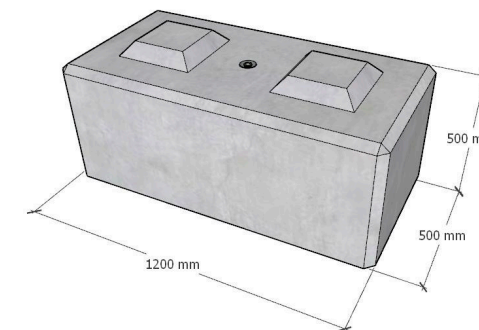
1200mm x 500mm x 300mm
INTERLOCKING BLOCK
430kg
(ALSO AVAILABLE IN FLAT TOP)



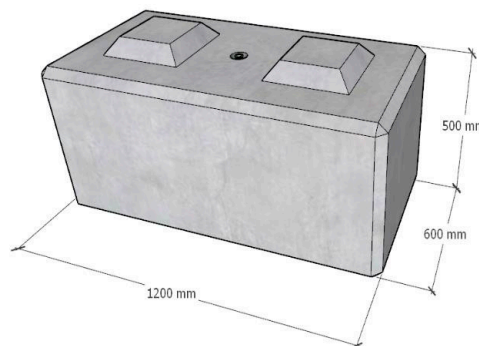
1200mm x 500mm x 400mm
INTERLOCKING BLOCK
575kg
(ALSO AVAILABLE IN FLAT TOP)



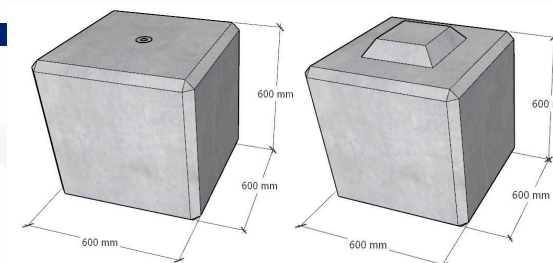
1200mm x 500mm x 500mm
INTERLOCKING BLOCK
720kg
(ALSO AVAILABLE IN FLAT TOP)



1200mm x 500mm x 600mm
1000kg
Standard Block
(ALSO AVAILABLE IN FLAT TOP)



600mm x 600mm x 600mm
500kg
Standard Block
(ALSO AVAILABLE IN FLAT TOP)

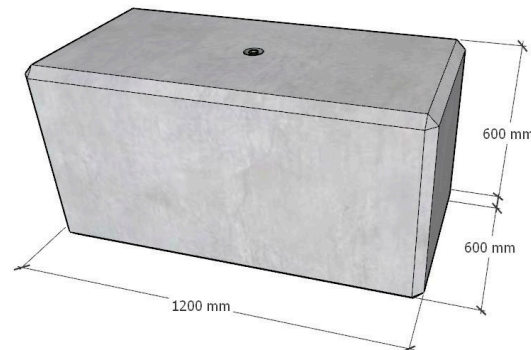
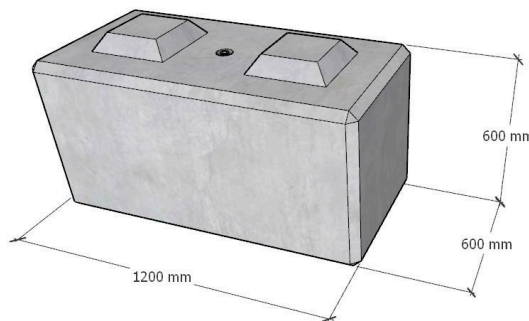


CPA PRICE LIST 2022 ENGINEERED INTERLOCKING CONCRETE BLOCKS FOR RETAINING WALLS

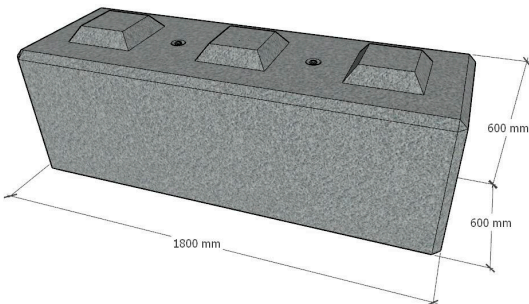


Precast concrete block sizes: LENGTH X HEIGHT X WIDTH

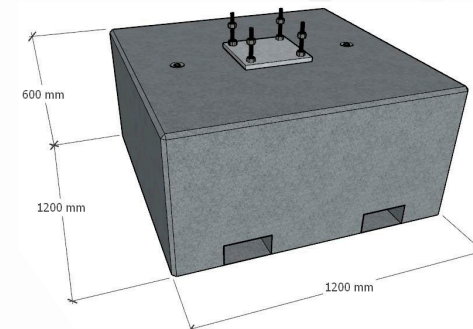
1200mm x 600mm x 600mm
1000kg
(ALSO AVAILABLE IN FLAT TOP)



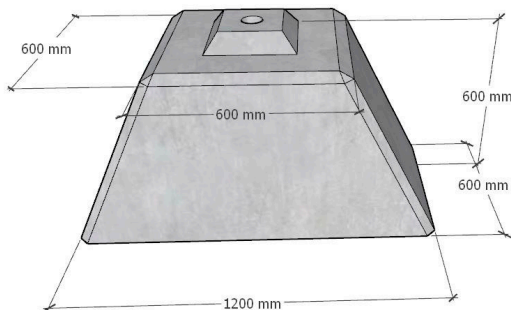
1800mm x 600mm x 600mm
1500kg
Large block
(ALSO AVAILABLE IN FLAT TOP)



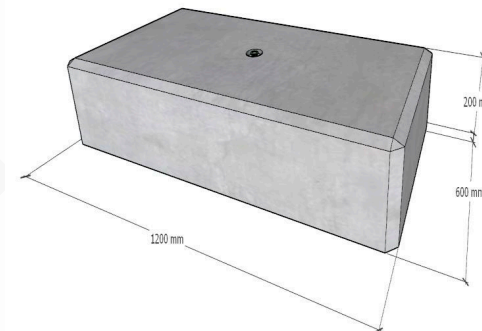
1200mm x 1200mm x 600mm
2000kg
BASE POLE/SOLAR PANEL BLOCK



1200mm x 600mm x 600mm
800kg
PYRAMID/FOOTING BASE BLOCK



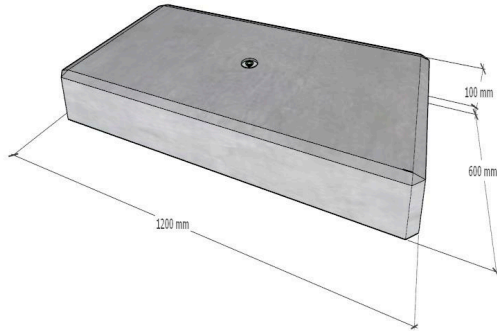
1200mm x 200mm x 600mm
345KG
CAPPING BLOCK



CPA PRICE LIST 2022 ENGINEERED INTERLOCKING CONCRETE BLOCKS FOR RETAINING WALLS

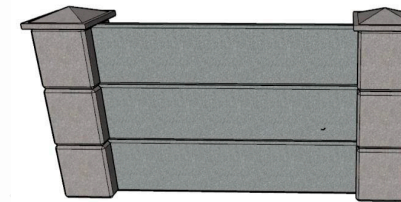
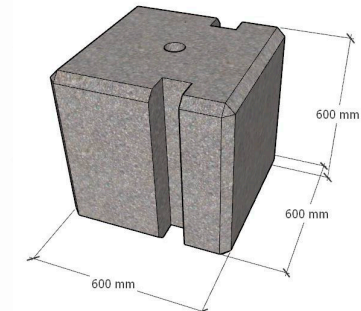
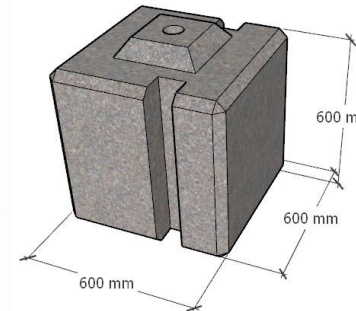
Precast concrete block sizes: LENGTH X HEIGHT X WIDTH

**1200mm x 100mm x 600mm
172KG
CAPPING BLOCK**

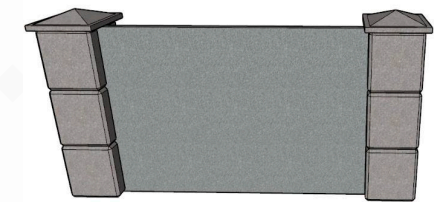


PRECAST FENCING BLOCK SYSTEM:

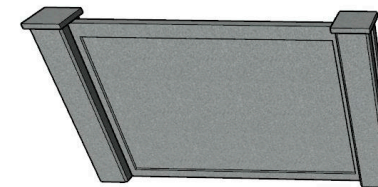
**600X600X600
INTERLOCKING AND FLAT FENCE COLUMN BLOCKS
500KG**



FENCING TYPE A



FENCING TYPE B



FENCING TYPE C



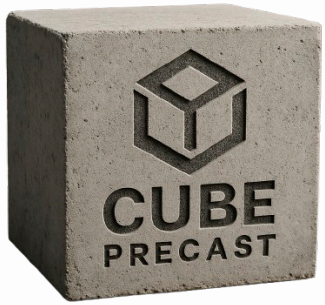
**FENCING TYPE C
OPTIONAL TEXTURED**

**CPA PRICE LIST 2022 ENGINEERED INTERLOCKING
CONCRETE BLOCKS FOR RETAINING WALLS**



Transport available on crane trucks, semi-trailers and B-doubles.
NOTE ALL TEXTURES add \$15/per block.
Prices exclusive of GST





Your Local Installer is:
Retaining Wall Specialists experts in structural retaining walls



0426 006 344



sales@cubeprecast.com.au



cubeprecast.com.au



Australia Wide

